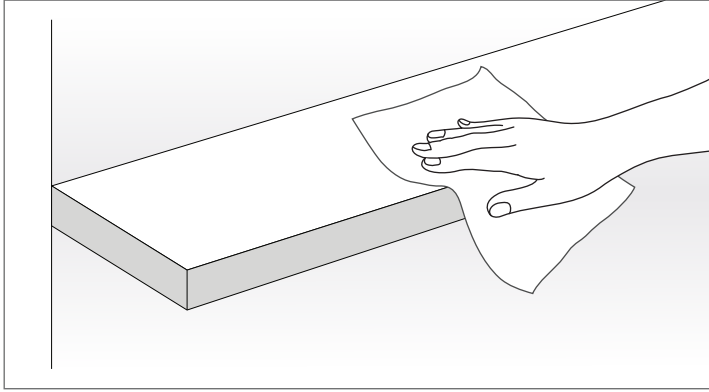


INSTALLATION GUIDE

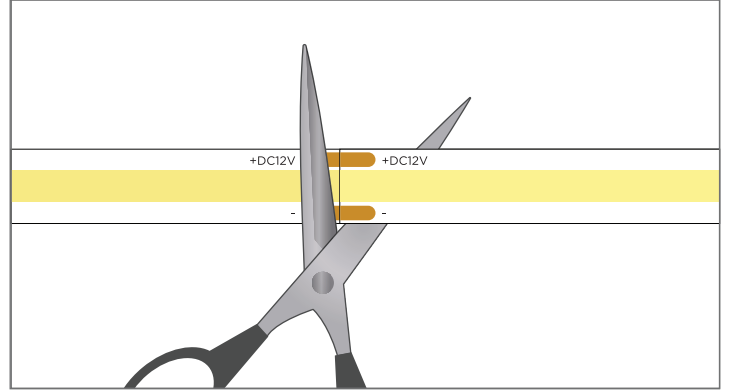
COB Strip Light

WARNING

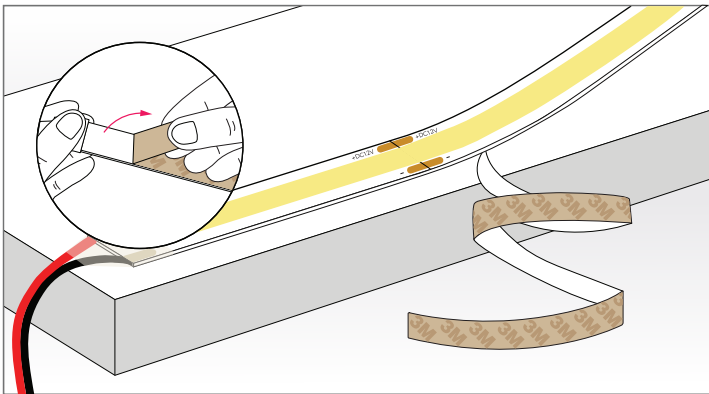
Electrical shock risk. Do not modify these products, as any alterations may void the warranty and compromise safety. Installation requires knowledge of electrical sign systems; if you are not qualified, please consult a certified electrician. Always disconnect the power supply before installing the product. Ensure the correct driver (12V or 24V) and adequate maximum wattage are used. Adhere to the specified guidelines for optimal results.



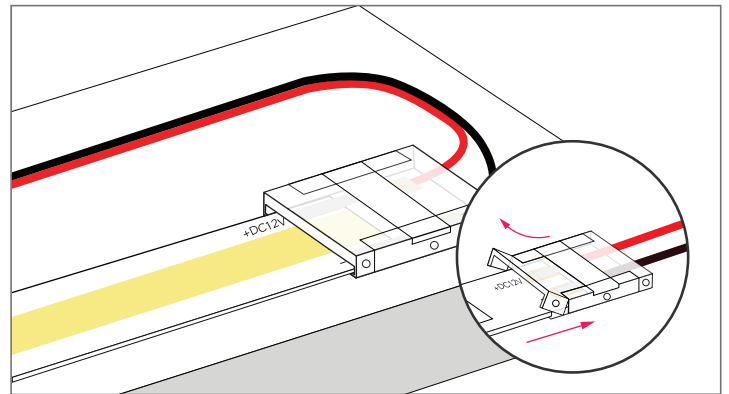
- 1** Clean and dry the areas shelf or wardrobe, where you're going to install the strip lights, ensuring it is free from any debris or dirt.



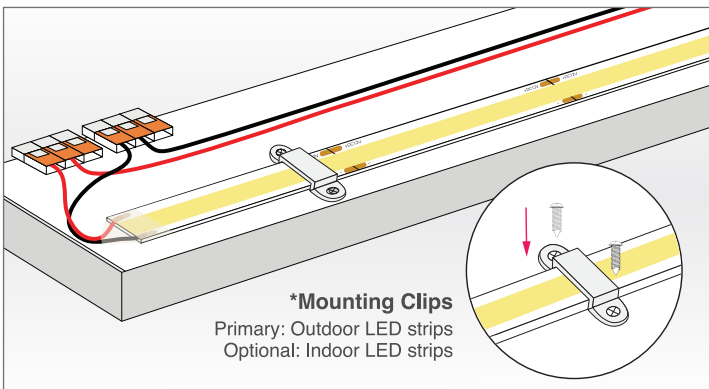
- 2** Cut the strip to the required length by following the cutting mark, ensuring that you prevent damage to the light.



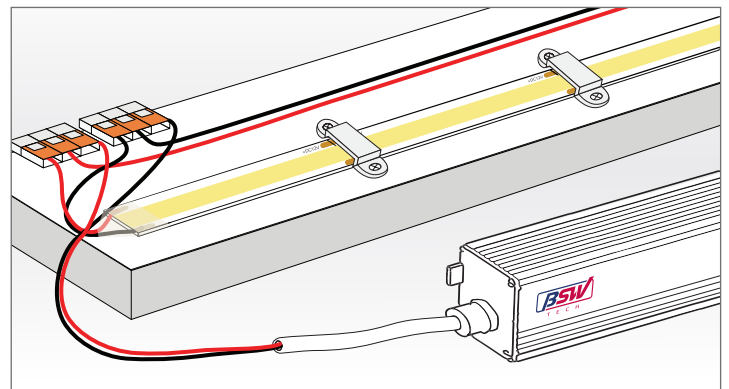
- 3** Remove the adhesive tape, position the COB strips carefully, ensuring they are straight, and press firmly. Avoid removing and reapplying the strip (see Figure 1 on page 2).



- 4** Our *COB Strip Connector enables quick, solder-free joining of wires or COB strips. Various connector types are available to suit specific applications (see Figure 2, page 2).



- 5** WAGO connectors enable quick wiring of LEDs in series. Use mounting clips and screws that match the width of the strip to support the COB strip light.



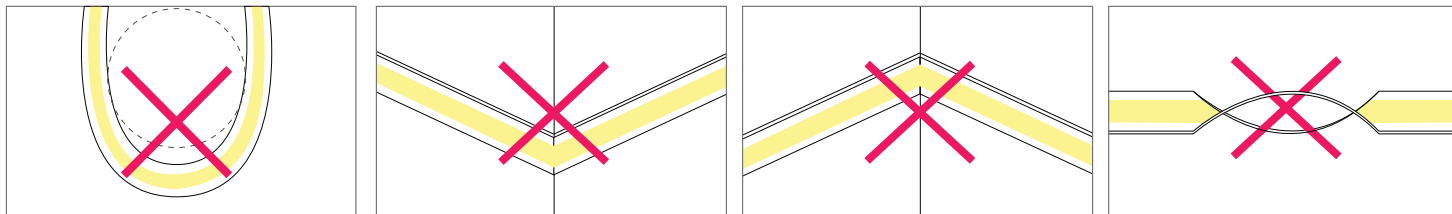
- 6** Wire both ends of COB strips to the power supply. For multiple series, connect them in parallel to avoid voltage drop and ensure brightness.(refer to Figure 3 on page 2)

INSTALLATION GUIDE

COB Strip Light

Figure 1. Installation Precautions

Ensure safety and optimal performance by following these essential guidelines during LED strip light installation.



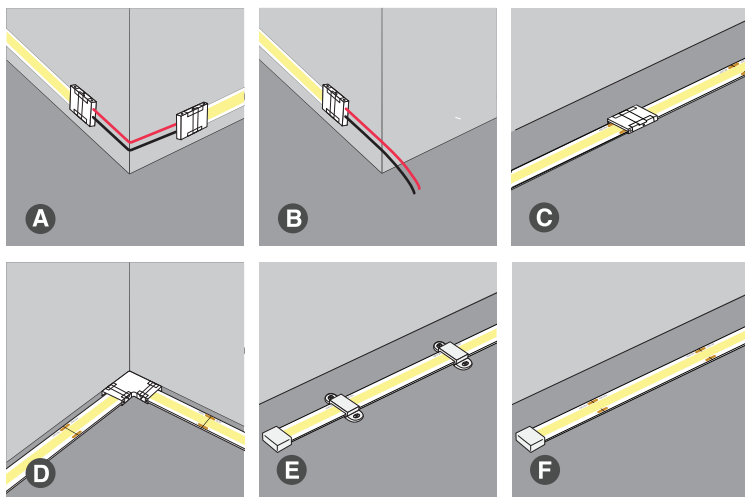
COB Strip should not be bent more than 50mm.

COB Strip should not be bent at 90°.

COB Strip should not be twisted.

Figure 2. Accessories

We have various types of COB strip connectors that make combining strips easy, without soldering.

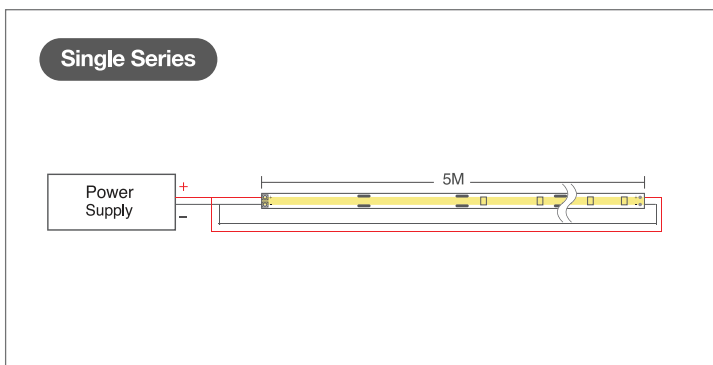


Product	Type	Itemcode	Usage	
Connector For indoor	Ⓐ Wire Both Ends	SA 9831 SA 9832	8mm 10mm	
	Ⓑ Wire One Ends	SA 9821 SA 9822	8mm 10mm	
	Ⓒ Strip to Strip	SA 9811 SA 9812	8mm 10mm	
	Ⓓ Corner Strip to Strip	SA9841 SA9842	8mm 10mm	
	Mount* & Endcap For outdoor	Ⓔ Mount & Finish	SA 9911	10mm 12mm
		Ⓕ Endcap For outdoor	Ⓕ Without Hole	WL 4L

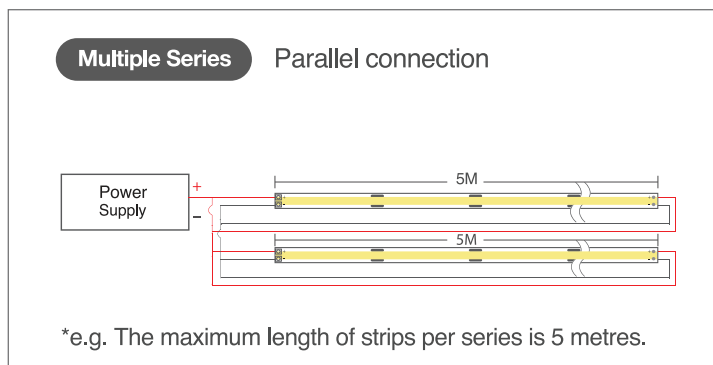
*For mount usage - Primary: Outdoor LED Strips / Optional: Indoor LED Strips

Figure 3. Max In Series

Check Polarity : All connections must be **RED-TO-RED (+)** and **BLACK-TO-BLACK(-)**. Reverse polarity connections may damage the LEDs and will void the product warranty.



Do not exceed the maximum length of COB strips per series (refer to each item's spec sheet). We recommend wiring both ends of COB strips to the power supply.



If you require **multiple strips**, they must be wired in parallel as a safe electrical operation mode. **Serial connection is not recommended**, as unbalanced voltage drops can lead to hazardous overload, potentially damaging the COB strips and causing uneven brightness.